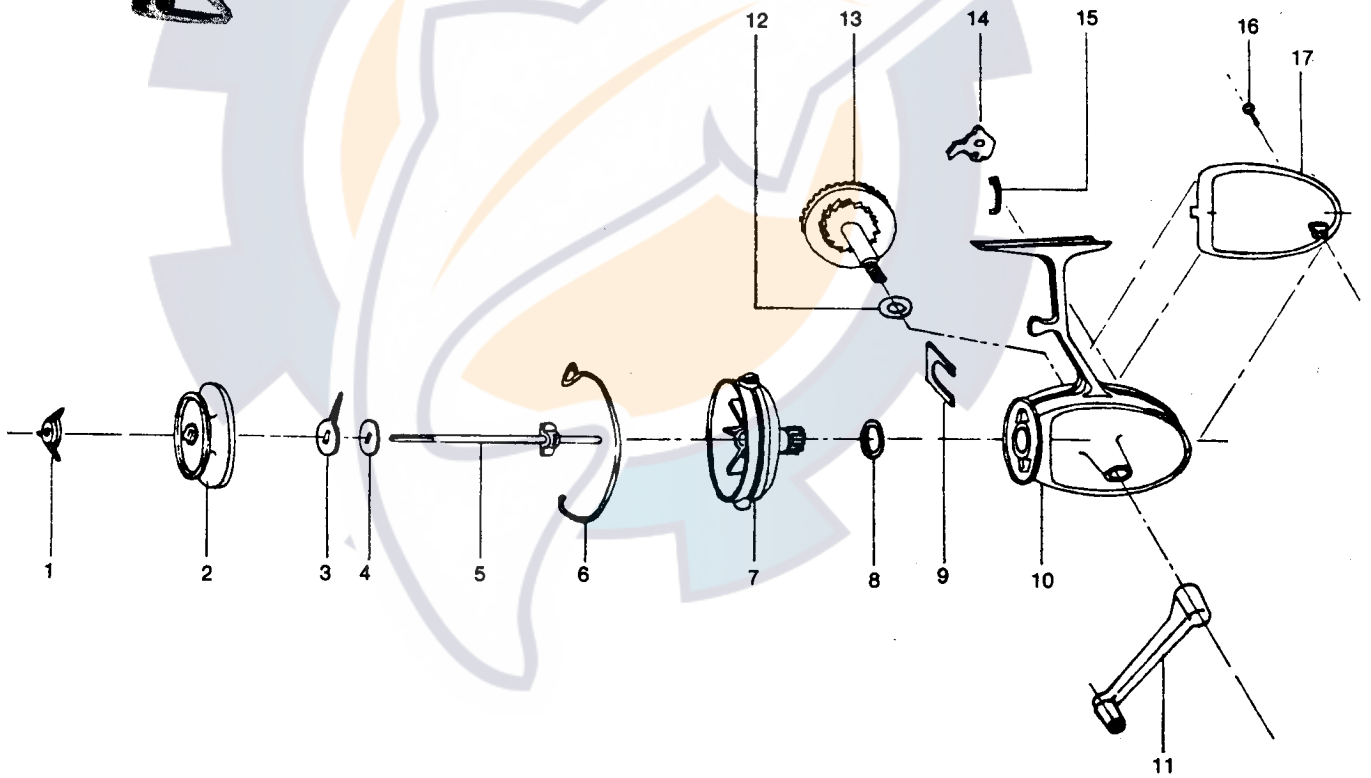


South Bend Tackle Co., Inc.

Division of GLADDING Corporation

SPINNING REEL



No. 3-201-610

| Detail No. | Part Name | Part No. | Detail No. | Part Name | Part No. |
|------------|-----------------------------|----------|------------|-------------------------|----------|
| 1 | Drag Nut | SPE55 | 10 | Frame | SPE21 |
| 2 | Spool Assy. | SPE54 | 11 | Crank Assy. | SPE33 |
| 3 | Clicker | SPE52 | 12 | Gear Washer | SPE29 |
| 4 | Clicker Washer | SPE51 | 13 | Drive Gear | SPE31 |
| 5 | Main Shaft Assy. | SPE46 | 14 | Anti-Reverse Pawl | SPE25 |
| 6 | Beil Wire Assy. | SPE41 | 15 | Pawl Spring | SPE23 |
| 7 | Pickup Housing | SPE44 | 16 | Cover Plate Screw | SPE50 |
| 8 | Pickup Housing Washer | SPE34 | 17 | Cover Plate | SPE49 |
| 9 | Pinion Washer | SPE47 | | | |